

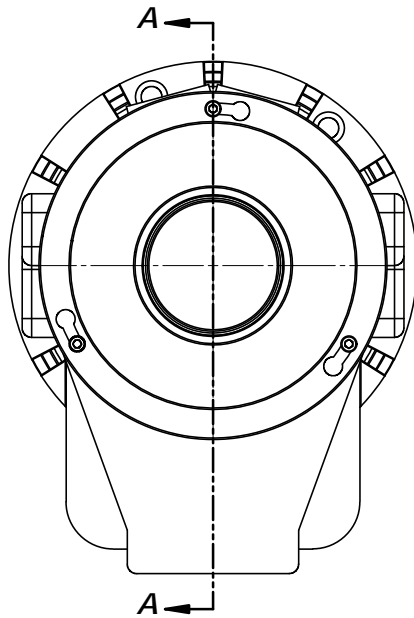
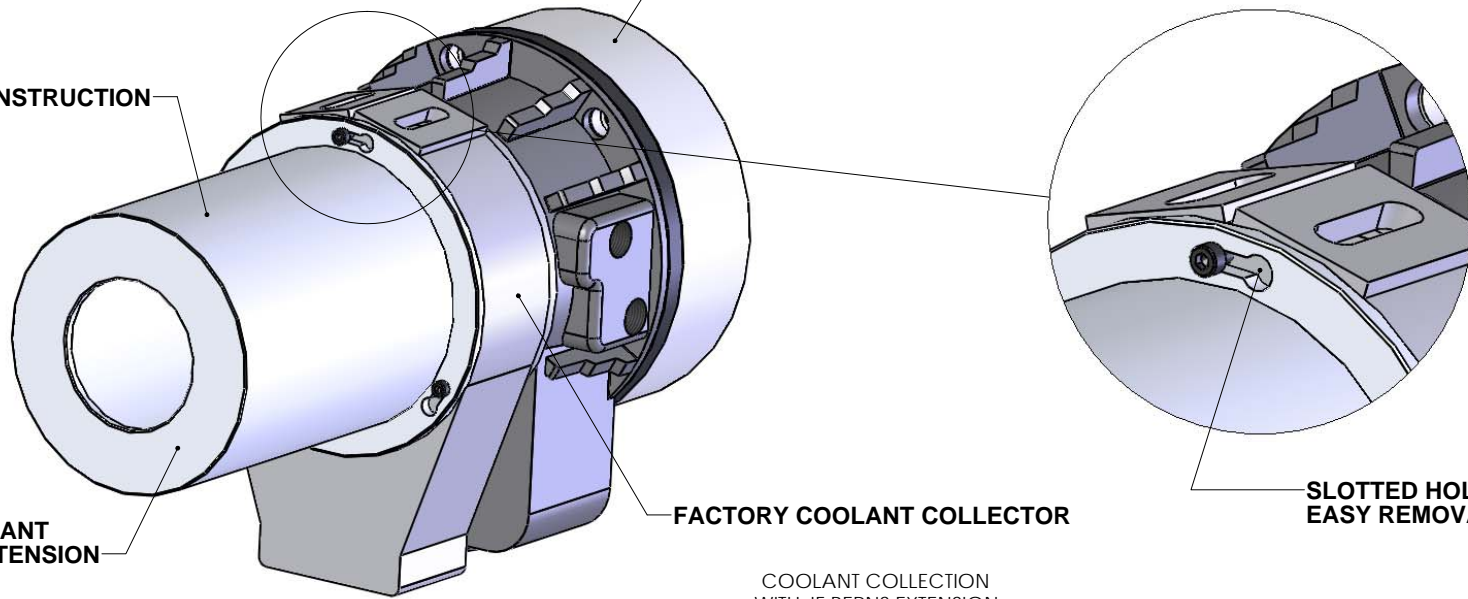
6061 ALUMINUM CONSTRUCTION

HYDRAULIC CLAMPING CYINDER

JF BERNS COOLANT COLLECTOR EXTENSION

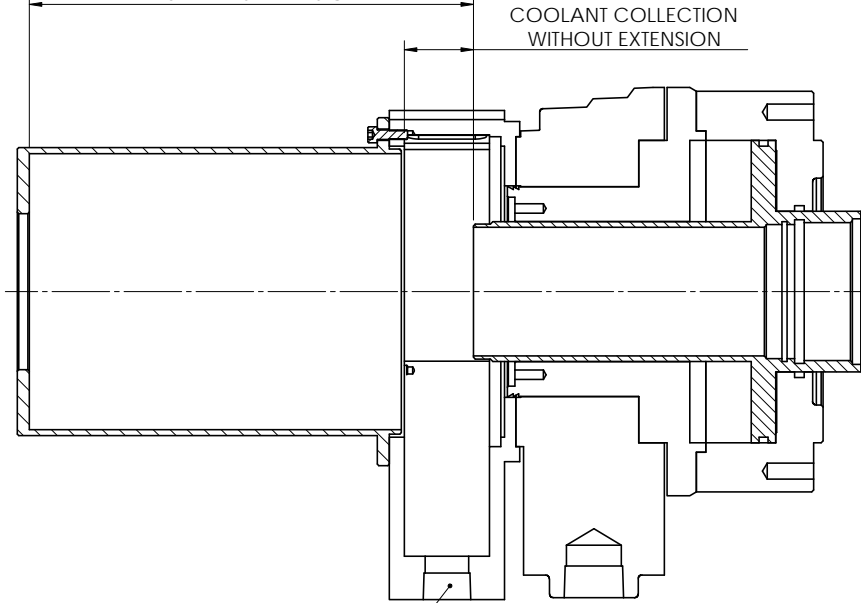
FACTORY COOLANT COLLECTOR

SLOTTED HOLES FOR EASY REMOVAL/ASSEMBLY



COOLANT COLLECTION WITH JF BERNS EXTENSION

COOLANT COLLECTION WITHOUT EXTENSION



COOLANT DRAIN

SECTION A-A

TOLERANCES UNLESS OTHERWISE SPECIFIED:

METRIC X = ± 0.4mm
XX = ± 0.16mm
XXX = ± 0.13mm
DIA. = H13 / h13
ANGULAR: ± 0.5

INCH XX = ± 0.016
XXX = ± 0.005

BREAK SHARP CORNERS .03 [0.8mm]



MATERIAL

FINISH

NAME	DATE
DMK	05-06-09
CHECKED	

PROPRIETARY AND CONFIDENTIAL
THE INFORMATION CONTAINED IN THIS DRAWING IS THE SOLE PROPERTY OF J.F. BERNS Co., Inc. ANY REPRODUCTION IN PART OR AS A WHOLE WITHOUT THE WRITTEN PERMISSION OF J.F. BERNS Co., Inc. IS PROHIBITED.

J.F. BERNS Co., Inc.
CINCINNATI, OHIO

TITLE:
COOLANT COLLECTOR EXTENSION

SIZE	DWG. NO.
C	100506-CCE-MOD

SCALE: 1:2	WEIGHT: 93.55	SHEET 1 OF 1
------------	---------------	--------------